



PICTURE/DIRECT SET WINDOWS

Technical Guide D

PICTURE/DIRECT SET WINDOW

A streamlined solution for the modern contemporary market.

This Picture Window is a brilliant redesign from its predecessors. With a larger glass area for enhanced viewing and a clean interior free from glazing stops, this new design will be the perfect addition to any contemporary project.



Exterior Glazed

No Interior Glazing Stops

1 1/8" Frame
Cladding Shown

FEATURES & SPECIFICATIONS

Standard Features

Exterior glazed for easier installation of oversized glass

No interior glazing stops creates a clean aesthetic

Larger glass for increased energy efficiency

Available with 7/8" frame cladding or 1 1/8" frame cladding

Natural, clear Douglas Fir interior (no visible finger joints)

4 9/16" (116 mm) jamb construction

LowE insulated glazing with 1/2" (13 mm) airspace

Extruded aluminum cladding in a variety of standard colors, primed wood or clear fir exterior

Glazing

LowE Double, LowE Triple, Tranquility® and StormForce™. StormForce is not available on all products. Double or triple glass configurations with 1/2" (13 mm) airspace. With countless glazing configurations and LowE coating options, we ensure that you can choose the perfect blend of protection and comfort. LowE best describes the benefits of the product that incorporates glazing coatings and Argon gas. LowE systems help reduce heating and cooling costs, providing superior energy efficiency.

Simulated Divided Lites (SDL)

Standard SDL complete with airspace grilles, where available. Grille bars are permanently applied to the interior and exterior.

Ogee Profile – 3/4" (19 mm), 1 1/8" (30 mm), 2" (51 mm)

Putty Profile – 5/8" (16 mm), 7/8" (22 mm), 1 1/8" (30 mm), 2" (51 mm)

Square Profile (interior only) – 5/8" (16mm), 3/4" (19 mm), 7/8" (22 mm), 1 1/8" (30 mm), 2" (51 mm)

Casing

Wood: 2" (51 mm) Brickmould, 3 1/2" (89 mm) Flat, 5 1/2" (139 mm) Flat, Adams and Williamsburg.

Metal Clad: 2" (51 mm) Brickmould, 3 1/2" (89 mm) Flat, 2" clad frame extension, Nose & Cove, Adams, Williamsburg and Kerf.

Metal Cladding

Heavy duty exterior metal cladding comprised of extruded aluminum is available in a variety of Palette colors, including anodized and Cyprium (copper and bronze cladding). Metal clad units are supplied ready-to-install complete with integral metal nailing flange.

FEATURES & SPECIFICATIONS

Wood

In addition to our standard Coastal Douglas Fir, the entire Loewen product line is also available in optional Mahogany. The interior can be natural wood (unfinished), primed, or prefinished in Jet Black or Oxford White paint. Additional wood species, as well as the Jet Black and Oxford White prefinishes, are available through our Custom Shop. All wood parts are dipped in approved preservative.

Performance Standards

Most units have been tested by an independent laboratory for air and water infiltration, structural performance, and thermal performance requirements.

Frame

Manufactured from Coastal Douglas Fir kiln-dried lumber with frame construction designed for 4 9/16" (116 mm) jamb. All wood exterior components are factory primed unless specified as clear exterior. Minor scratches or abrasions in the wood surface or primer are not considered defects.

Variables	Picture/Direct Set
Performance	
LowE Double	●
LowE Triple	○
StormForce™	○
Appearance	
SDL	○

Standard ● Optional ○



Picture/Direct Set

Picture/Direct Set Window Sizes

Width

Table for Picture/Direct Set Window Sizes. Columns include Rough Opening, Wood Exterior, Metal Clad, Frame, Visible Glass, and Product Code. Rows show window sizes from 13 1/4" to 143 1/8" in height and 12 9/16" to 59 13/16" in width.

Product Code

Standard sizes Shown. Additional sizes may be available. Custom sizes can be ordered.

Glass Size = Visible Glass + 15/16" (24 mm)

Note: • For Masonry opening information see Section A.

Picture/Direct Set Window Sizes

Width

Table for Picture/Direct Set Window Sizes. Columns include Rough Opening, Wood Exterior, Metal Clad, Frame, Visible Glass, and Product Code. Rows show window sizes from 13 1/4" to 143 1/8" in height and 63 3/4" to 142 1/2" in width.

Product Code

Standard sizes Shown. Additional sizes may be available. Custom sizes can be ordered.

Glass Size = Visible Glass + 15/16" (24 mm)

Note: • For Masonry opening information see Section A.

**Picture/Direct Set
2 Wide Window Sizes**

Width

Height

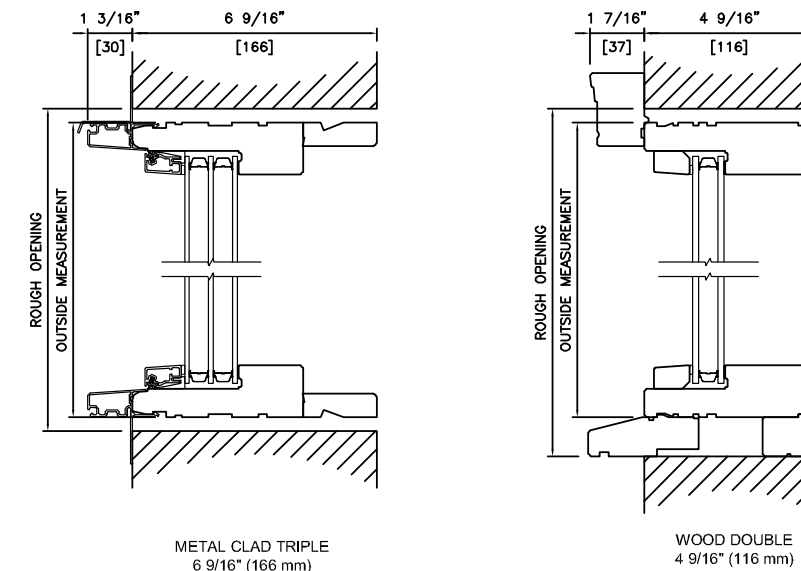
Rough Opening		Frame		Glass Size							
		Wood Exterior	Metal Clad	Visible Glass	48" [1219]	55 7/8" [1419]	59 13/16" [1519]	63 3/4" [1619]	71 5/8" [1819]	79 1/2" [2019]	95 1/4" [2419]
				47 1/4" [1200]	55 1/8" [1400]	59 1/16" [1500]	63" [1600]	70 7/8" [1800]	78 3/4" [2000]	94 1/2" [2400]	
				19 1/2" [496]	23 7/16" [596]	25 7/16" [646]	27 3/8" [696]	31 5/16" [796]	35 1/4" [896]	43 1/8" [1096]	
25 1/16" [636]	24 3/8" [619]	23 5/8" [600]	19 1/2" [496]	PS2 1206	PS2 1406	PS2 1506	PS2 1606	PS2 1806	PS2 2006	PS2 2406	
29" [736]	28 5/16" [719]	27 9/16" [700]	23 7/16" [596]	PS2 1207	PS2 1407	PS2 1507	PS2 1607	PS2 1807	PS2 2007	PS2 2407	
30 15/16" [786]	30 1/4" [769]	29 1/2" [750]	25 7/16" [646]	PS2 1275	PS2 1475	PS2 1575	PS2 1675	PS2 1875	PS2 2075	PS2 2475	
32 15/16" [836]	32 1/4" [819]	31 1/2" [800]	27 3/8" [696]	PS2 1208	PS2 1408	PS2 1508	PS2 1608	PS2 1808	PS2 2008	PS2 2408	
36 7/8" 936	36 3/16" [919]	35 7/16" [900]	31 5/16" [796]	PS2 1209	PS2 1409	PS2 1509	PS2 1609	PS2 1809	PS2 2009	PS2 2409	
40 13/16" [1036]	40 1/8" [1019]	39 3/8" [1000]	35 1/4" [896]	PS2 1210	PS2 1410	PS2 1510	PS2 1610	PS2 1810	PS2 2010	PS2 2410	
48 11/16" [1236]	48" [1219]	47 1/4" [1200]	43 1/8" [1096]	PS2 1212	PS2 1412	PS2 1512	PS2 1612	PS2 1812	PS2 2012	PS2 2412	
56 9/16" [1436]	55 7/8" [1419]	55 1/8" [1400]	51" [1296]	PS2 1214	PS2 1414	PS2 1514	PS2 1614	PS2 1814	PS2 2014	PS2 2414	
60 1/2" [1536]	59 13/16" [1519]	59 1/16" [1500]	54 15/16" [1396]	PS2 1215	PS2 1415	PS2 1515	PS2 1615	PS2 1815	PS2 2015	PS2 2415	
64 7/16" [1636]	63 3/4" [1619]	63" [1600]	58 7/8" [1496]	PS2 1216	PS2 1416	PS2 1516	PS2 1616	PS2 1816	PS2 2016	PS2 2416	
72 5/16" [1836]	71 5/8" [1819]	70 7/8" [1800]	66" [1696]	PS2 1218	PS2 1418	PS2 1518	PS2 1618	PS2 1818	PS2 2018	PS2 2418	
84 1/8" [2136]	83 7/16" [2119]	82 11/16" [2100]	78 9/16" [1996]	PS2 1221	PS2 1421	PS2 1521	PS2 1621	PS2 1821	PS2 2021	PS2 2421	

Product Code

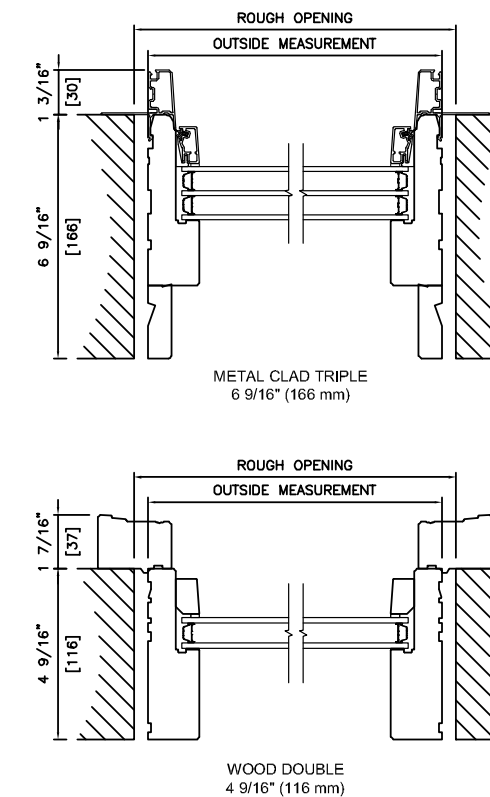
Glass Size = Visible Glass + 15/16" (24 mm)

Picture/Direct Set Window Wall Connection Detail

Head & Sill Detail



Plan View



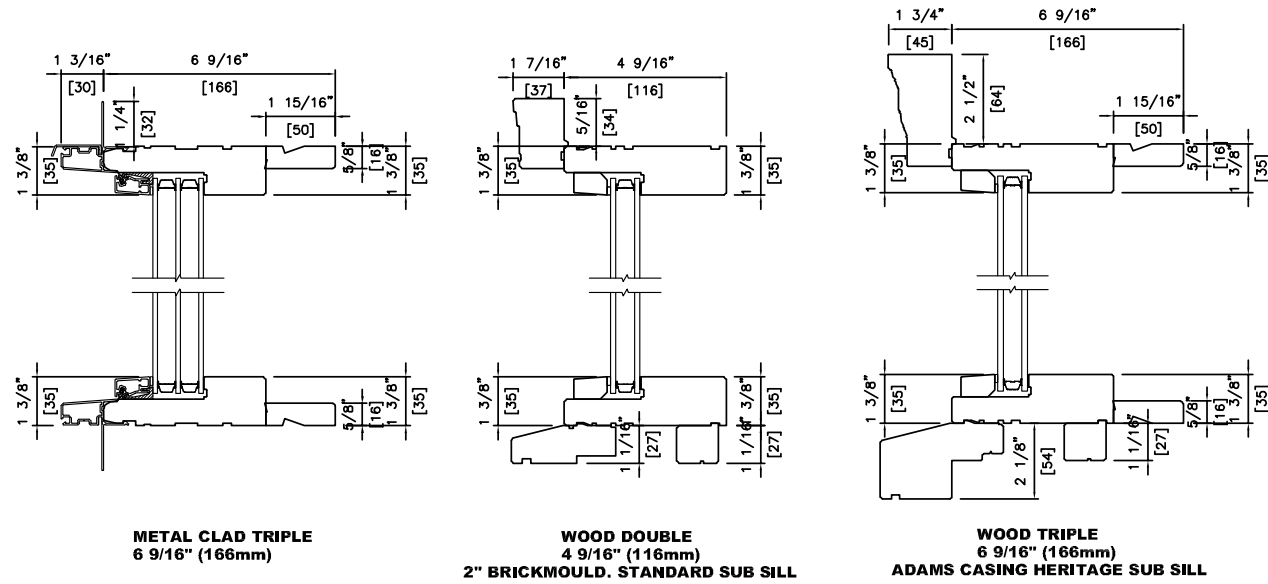
Standard sizes shown. Additional sizes may be available. Custom sizes can be ordered.

Note: • For Masonry opening information see Section A.

Note: • Other jamb widths available.
• All dimensions to have +/- 1/16" (2mm) tolerance.

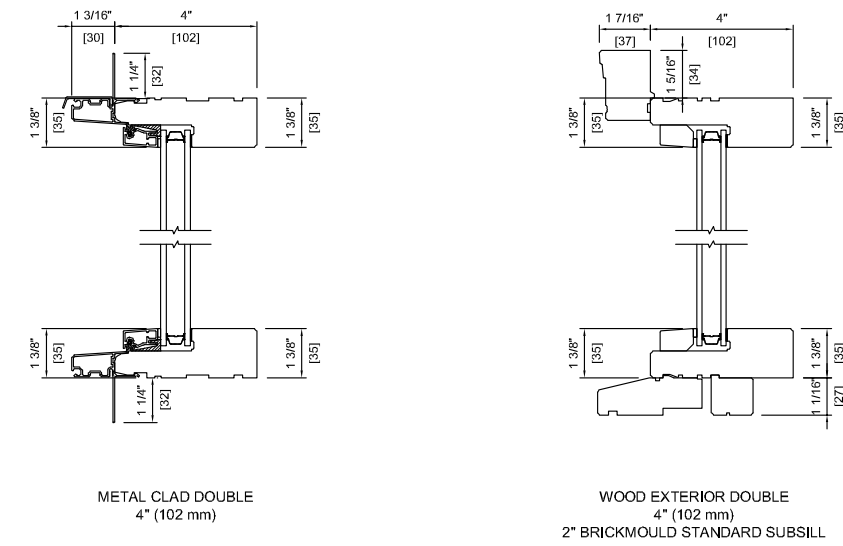
Picture/Direct Set Window Detail

Head & Sill Detail

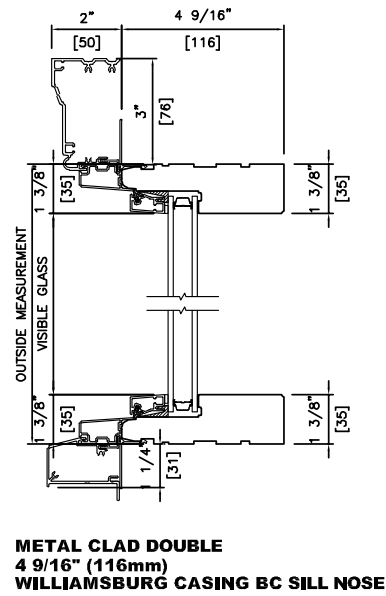


Picture/Direct Set Window - Cutdown Frame Detail

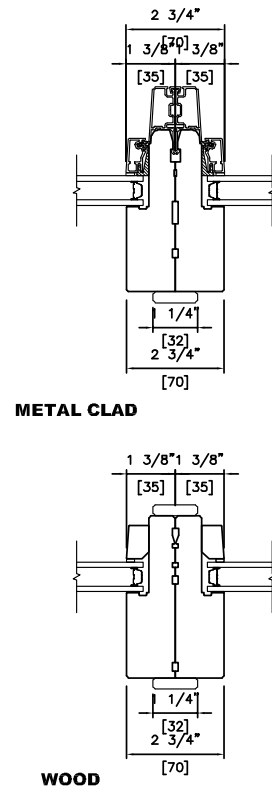
Head & Sill Detail



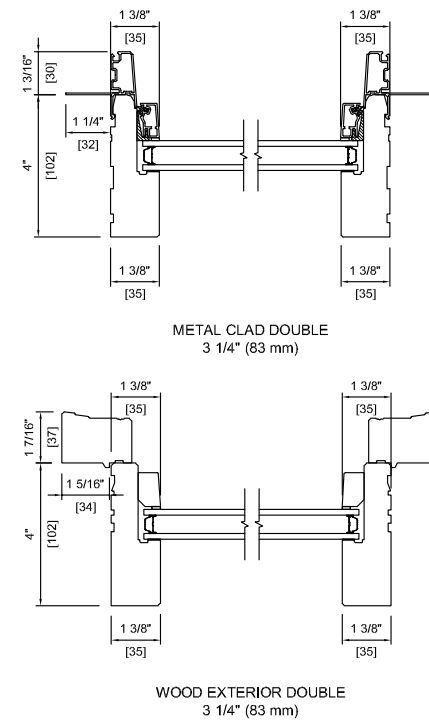
Head & Sill Detail



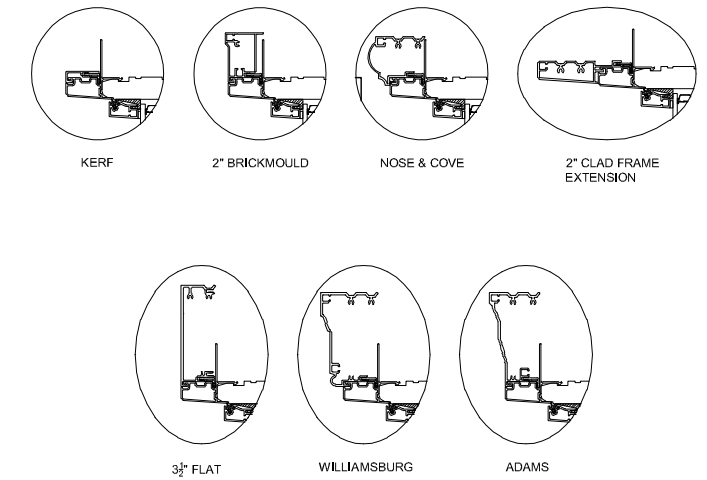
Plan View



Plan View



Casing

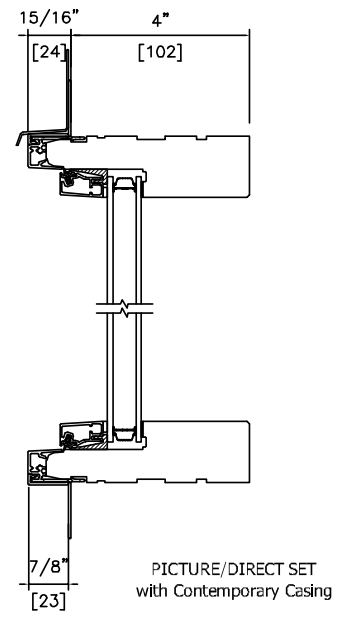


Note: • Other jamb widths available.
• All dimensions to have +/- 1/16" (2mm) tolerance.

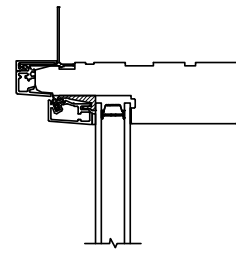
Note: • Other jamb widths available.
• All dimensions to have +/- 1/16" (2mm) tolerance.

Contemporary Frame Cladding Detail

Head & Sill Detail



Casing



PICTURE/DIRECT SET

